

INSTALLATION AND OPERATION INSTRUCTIONS



Heat-N-Glo, a division of Hearth Technologies, Inc.
20802 Kensington Boulevard
Lakeville, MN 55044 USA

Heat-Zone-240V Air Duct Kit

APPROVALS

The HEAT-ZONE-240V air duct kit is approved for use on Models 6000XLS-AU and 6000XLT-AU gas heaters.

INTRODUCTION

The HEAT-ZONE-240V accessory kit conveys warm air from the heater through air duct(s) to remote locations in the same room or other rooms of the building. See Figure 1. One or two HEAT-ZONE-240V kits can be installed on the heater.

PRELIMINARY PREPARATION

1. Contents of kit:

- * 6 meters of 152mm round duct
- * Fan housing assembly
- * Junction box
- * Air register
- * Register adapter frame - Thick
- * Heater* duct collar
- * Duct adapter - (round to oval)
- * Hardware

*If any parts are missing or damaged, contact your Dealer before starting installation. **DO NOT** install a damaged kit.*

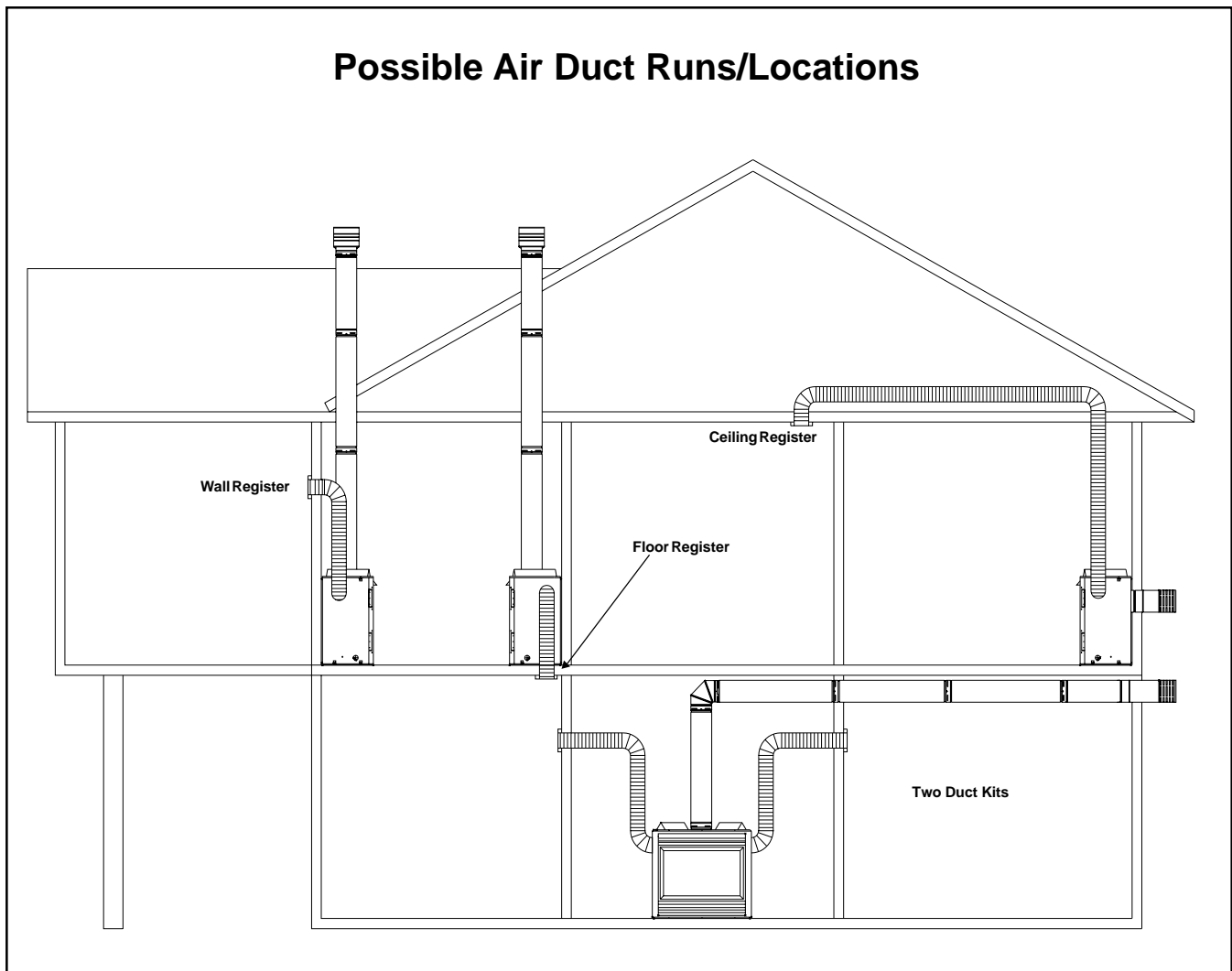


Figure 1

299-900-A 4/99

2. The Heat-Zone 240V kit is tested and safe when installed in accordance with this installation manual. This kit is carefully engineered and must be installed only as specified. Modifying the kit or any of its components will void the warranty, and may possibly cause a fire hazard.

3. **CAUTION:** Installation of this appliance should only be carried out by an authorized person. All relevant codes and regulations laid down by the gas piping authorities, municipal building regulations, electrical wiring regulations and the requirements of the AGA Gas Installation code must be observed.

4. Plan the location of the heater and the warm air duct run(s).

MAXIMUM Duct Run = 6M for useful heat output.

MINIMUM Duct Run = NA - for runs out from the heater to adjacent room OR down to the room below.

MINIMUM Duct Run = 787mm top of heater to room above.

INSTALLATION

1. Remove the cover plate from the side of the heater and discard it.

2. Center the duct collar around the exposed hole and attach it to the heater with 3 screws. **NOTE:** Do this **BEFORE** final positioning of the heater. See Figure 2.

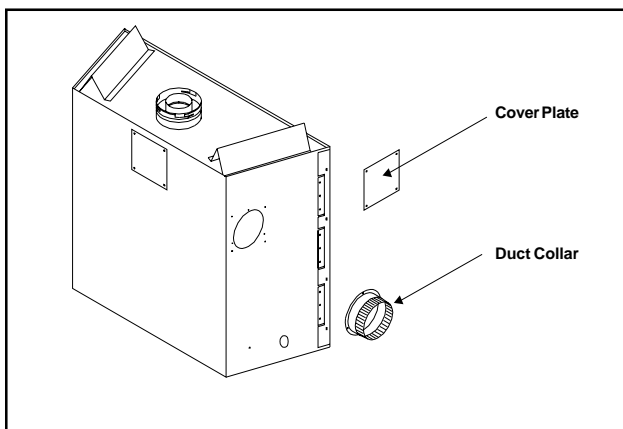


Figure 2

3. Determine the location for the air register/fan housing assembly. Cut a 127 x 346 mm hole between framing members (wall studs or floor joists).

4. Mount and secure the fan housing assembly to framing members so the front surface is 6mm below the finished wall or floor surface. Use the adjustable mounting brackets and screws provided in the kit. See Figure 3.

NOTE: The brackets can be rotated 180° and mounted to the back side of the 2 x 4 if necessary.

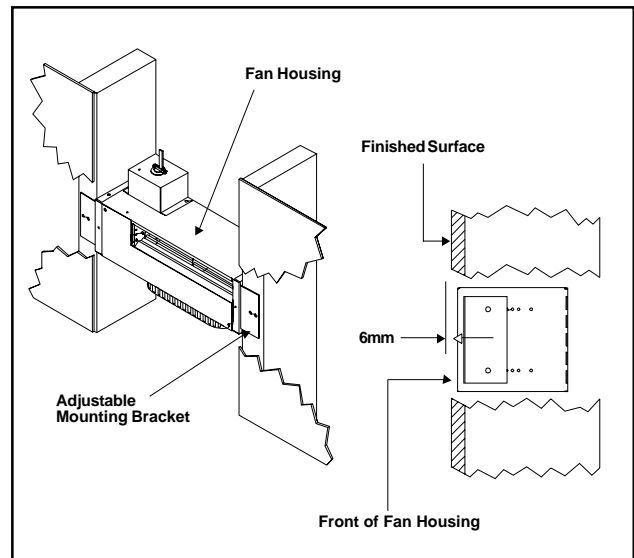


Figure 3

NOTE: If the fan housing is installed in a 2 x 4 wall, the front of the housing will protrude approximately 13mm out of the wall. See Figure 4.

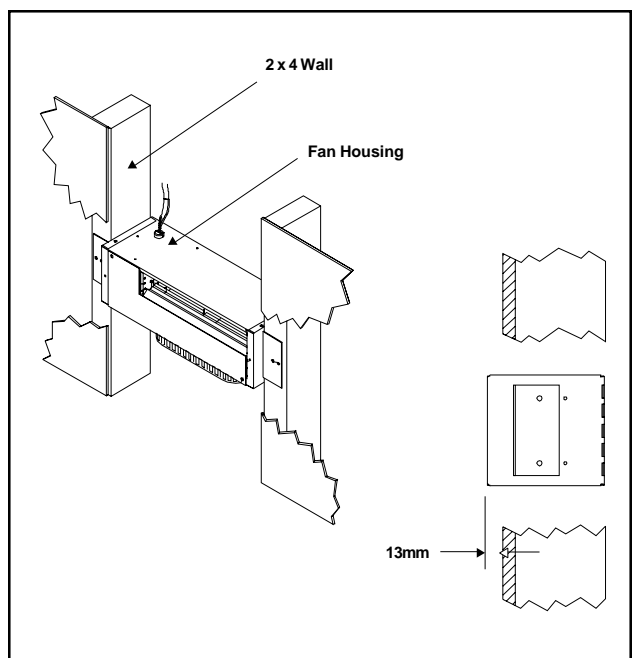


Figure 4

5. Install the air duct run. **NOTE:** The air duct has a zero clearance to combustible construction.

ROUND AIR DUCT: Attach the 152mm round air duct (supplied in the kit) to the heater collar and run the duct to the fan housing. Attach the round-to-oval adapter to the fan housing and the air duct to the adapter. See Figure 5.

OVAL AIR DUCT: Attach the round-to-oval adapter to the heater starting collar and a 152mm oval duct to the adapter. Complete the duct run and attach the oval duct to the fan housing. **NOTE:** 152mm metal oval air duct is NOT provided with this kit but can be purchased from a heating or air conditioning ventilation supplier.

ROUND and OVAL DUCT: A combination of 152mm round and 152mm oval air duct can be used in the duct run. Oval duct components must be purchased from a heating or air conditioning ventilation supplier.

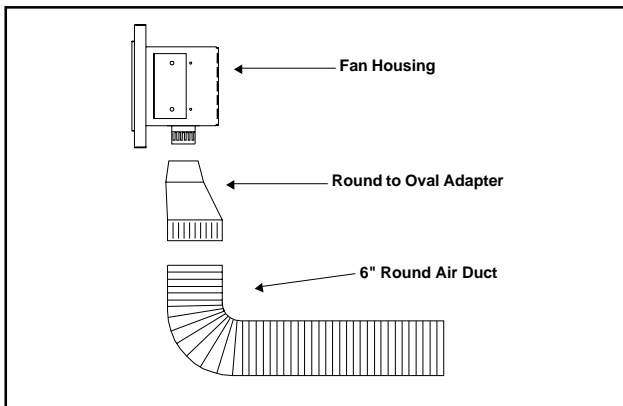


Figure 5

6. Install a wall switch in a convenient location. This switch will control the HEAT-ZONE-240V fan operation.

7. Wire 240 VAC service TO the wall switch and FROM the wall switch to the fan junction box. Use wire connectors to secure the 240 VAC service wires to the hot and neutral fan wires and screw the 240 VAC ground wire to the fan junction box. See Wiring Diagram - Figure 6.

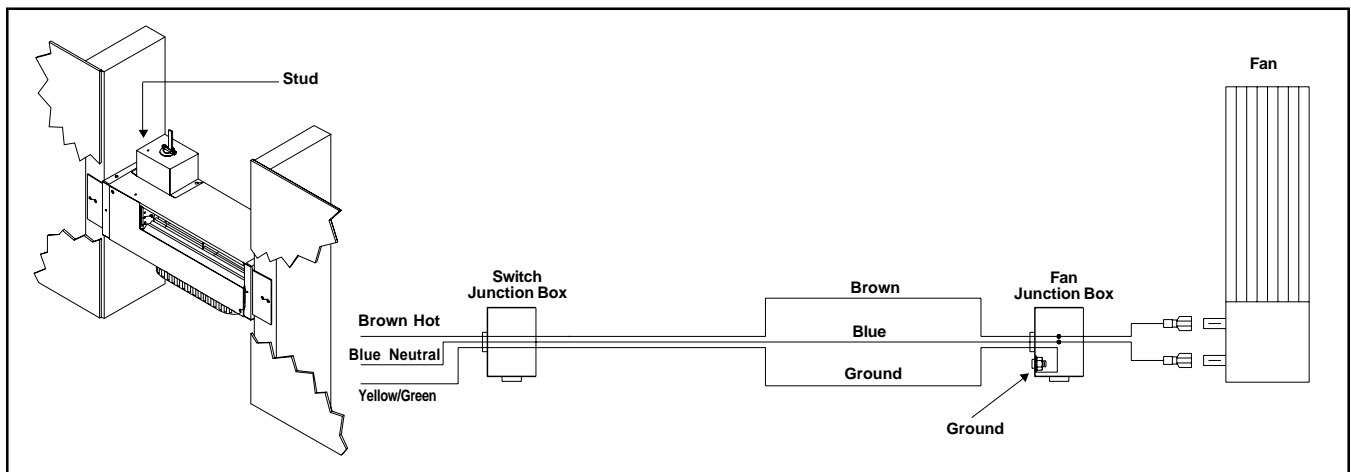


Figure 6

8. Screw the fan junction box to the fan housing.

9. Screw the register adapter frame and the air register to the fan housing. See Figure 7.

10. Complete the heater installation per instructions.

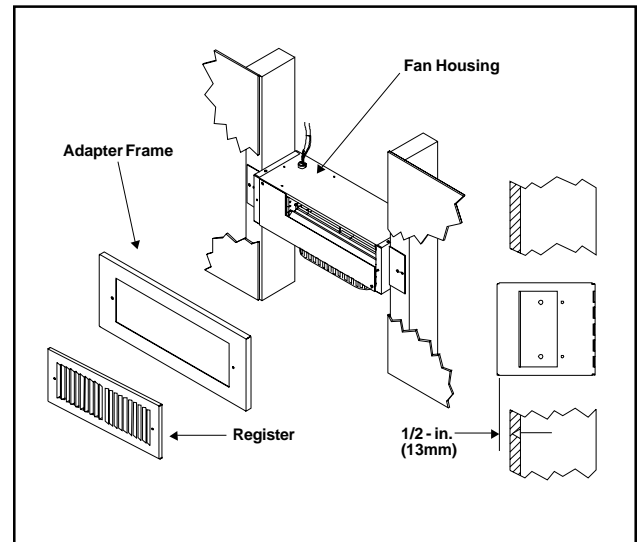


Figure 7

OPERATION

1. Start the heater per instructions and allow it to warm up.
2. Turn the wall switch "ON" to start air flow at the air duct register.

MAINTENANCE

1. Service and maintain the gas heater per instructions.
2. Keep the air register(s) clean and free of any blockage.